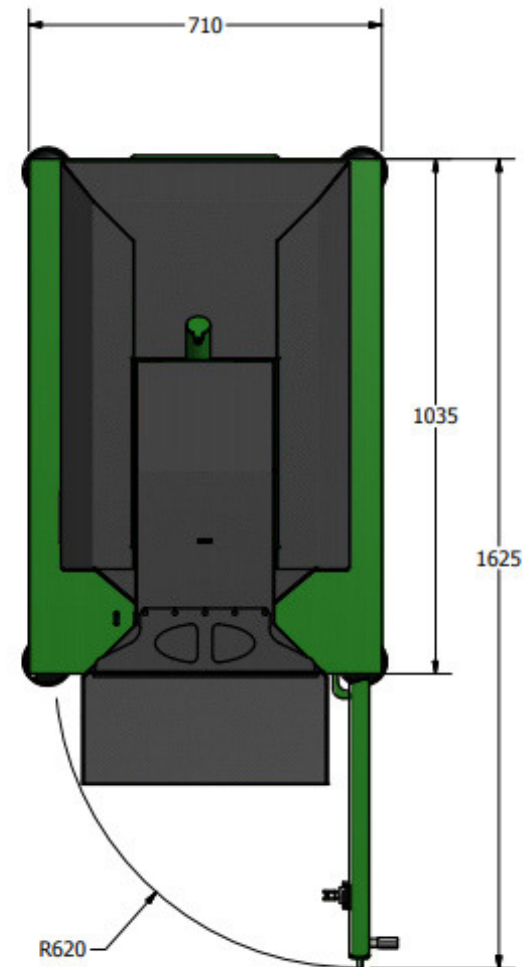
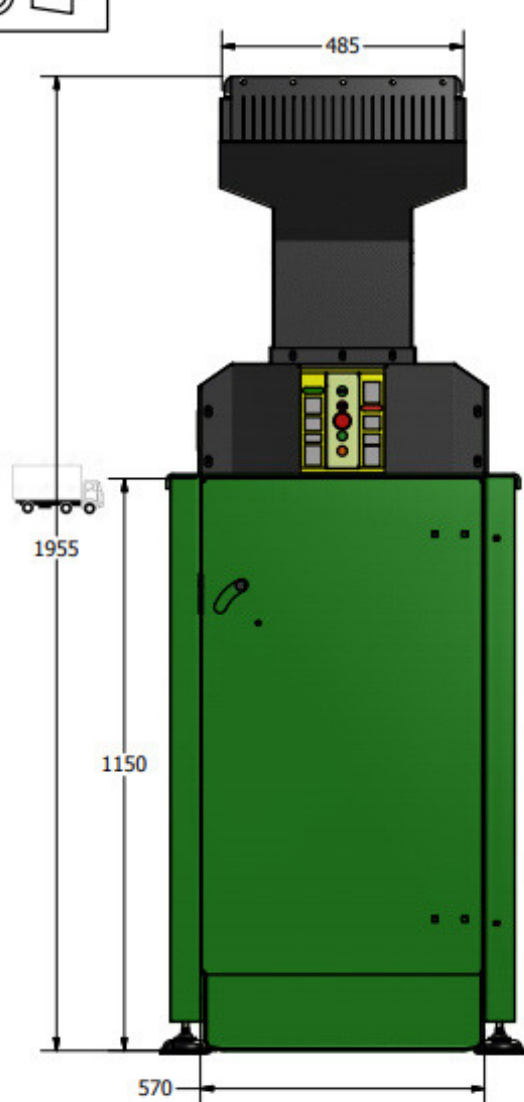



THIRD ANGLE PROJECTION



 lcc.eco	
MODEL CODE	G5
MACHINE WEIGHT	320 KG
NOISE LEVEL	70 dB