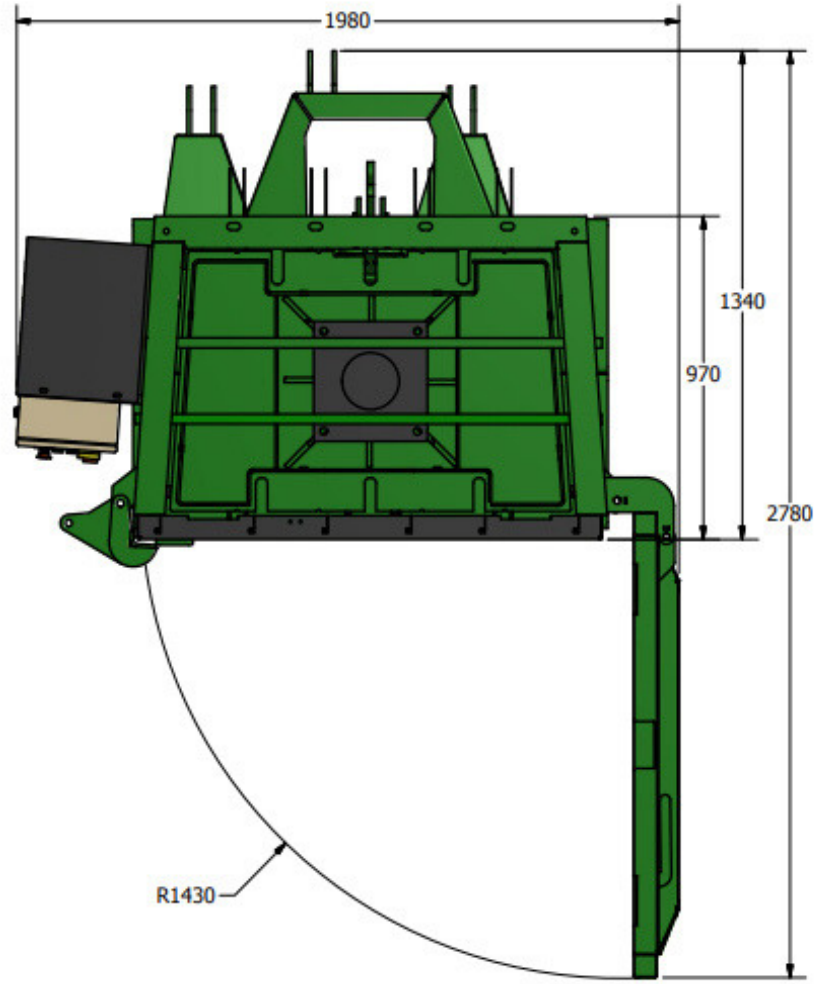
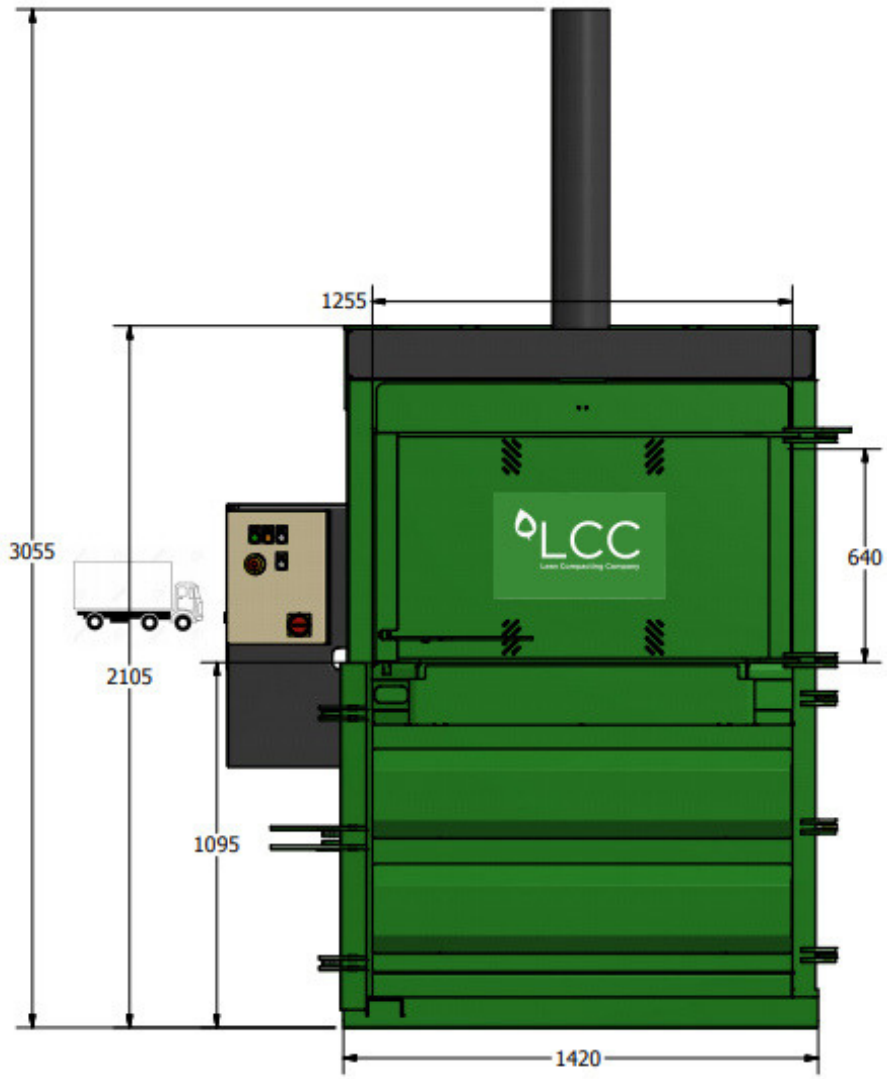


THIRD ANGLE PROJECTION



MODEL CODE	V50F
MACHINE WEIGHT	1930 KG
NOISE LEVEL	78 dB