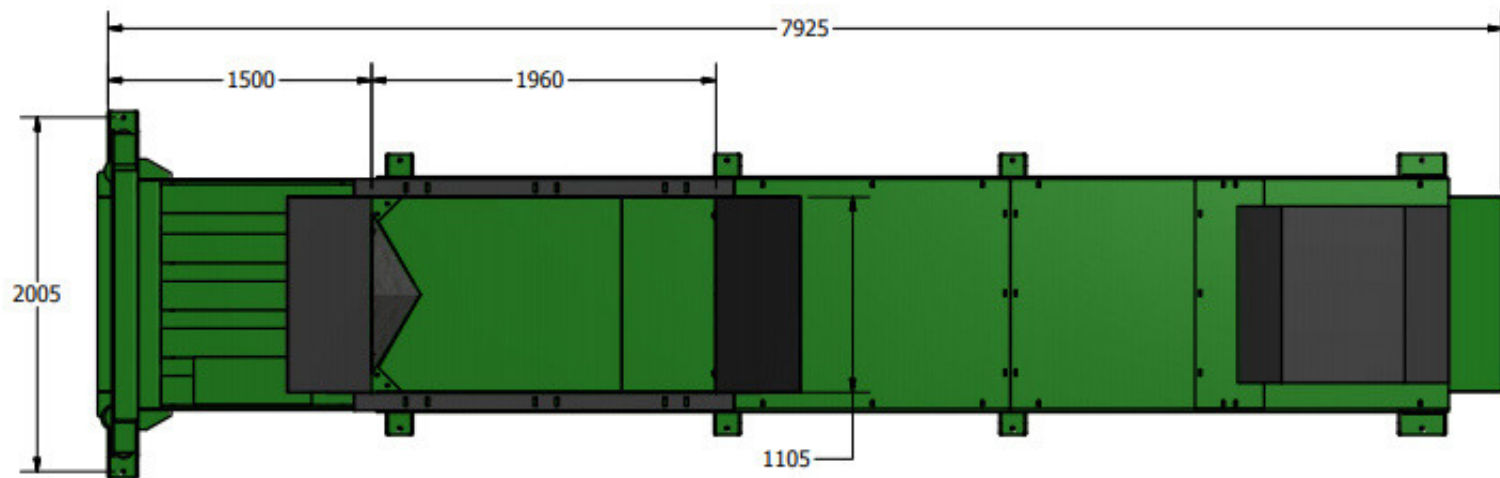
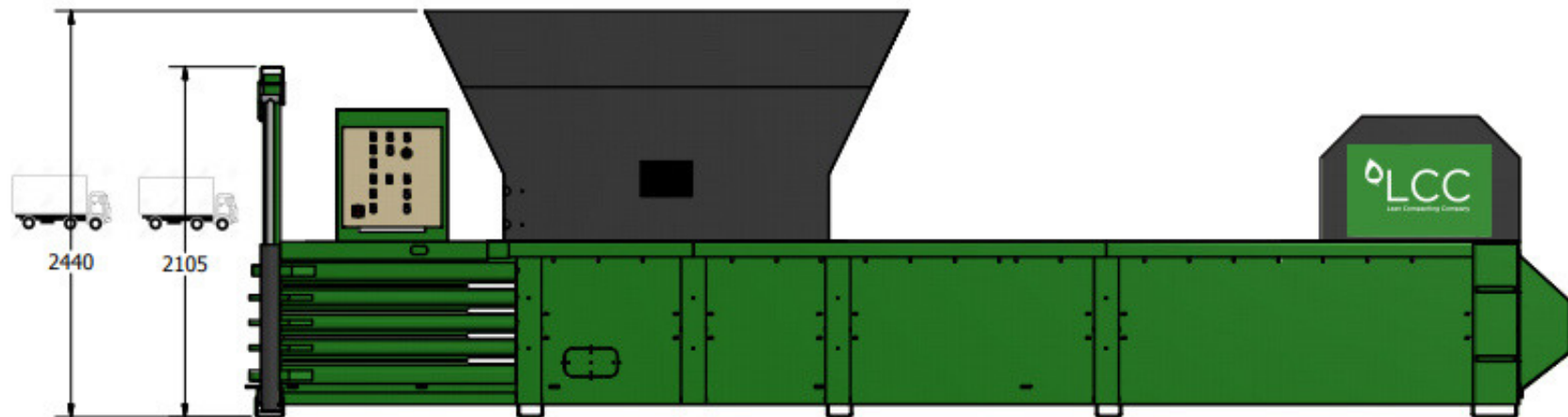
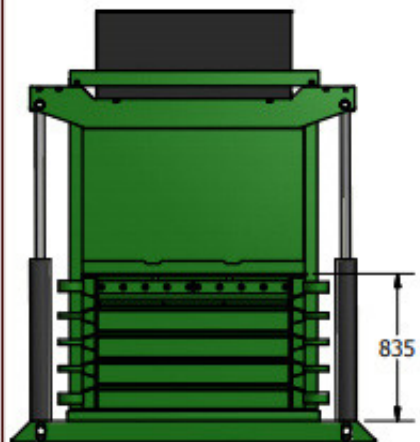



THIRD ANGLE PROJECTION



 <b>lcc.eco</b>	
MODEL CODE	H70
MACHINE WEIGHT	9500 Kg
NOISE LEVEL	80 dB