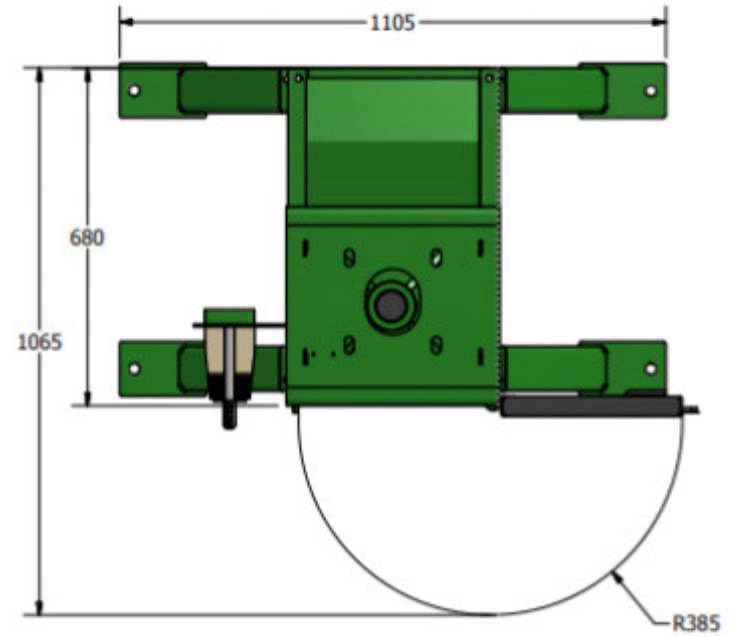
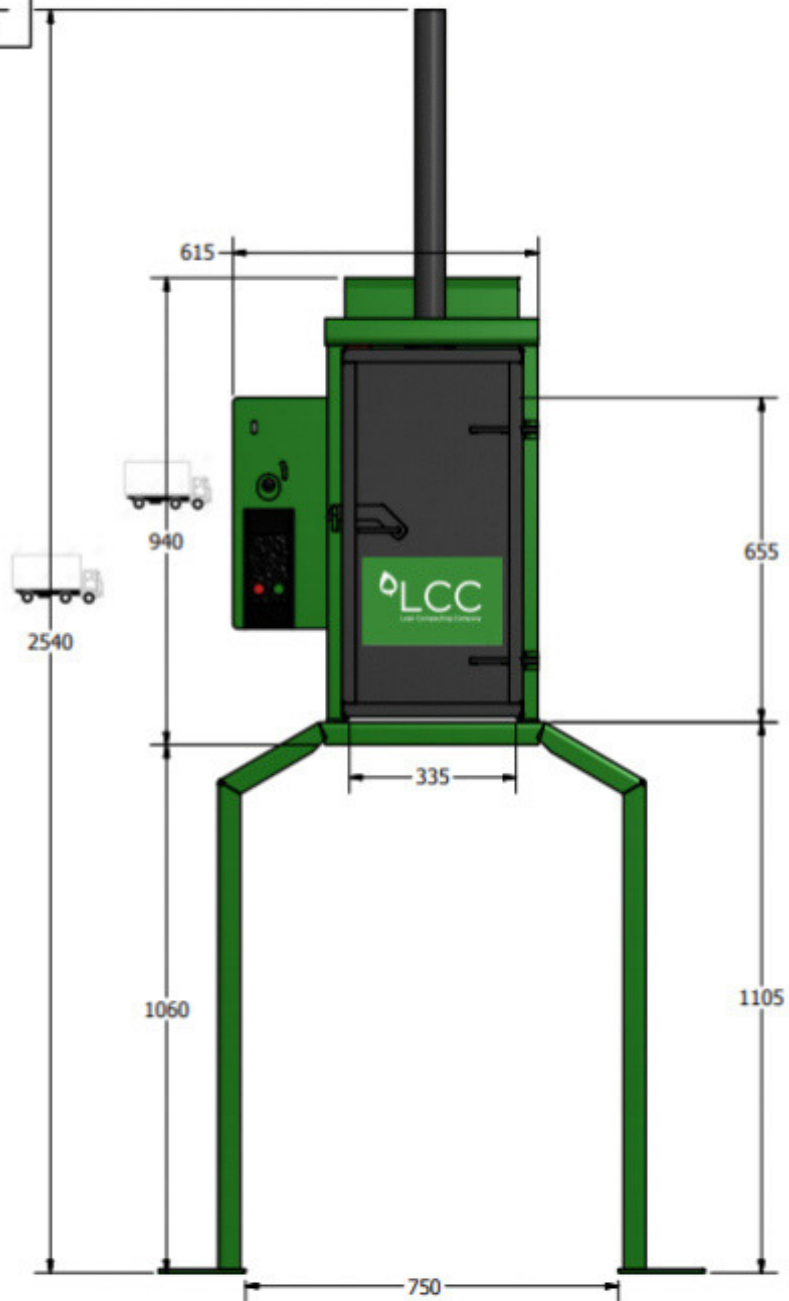



THIRD ANGLE PROJECTION



	<b>lcc.eco</b>
MODEL CODE	CP30
MACHINE WEIGHT	245 KG
NOISE LEVEL	70 dB