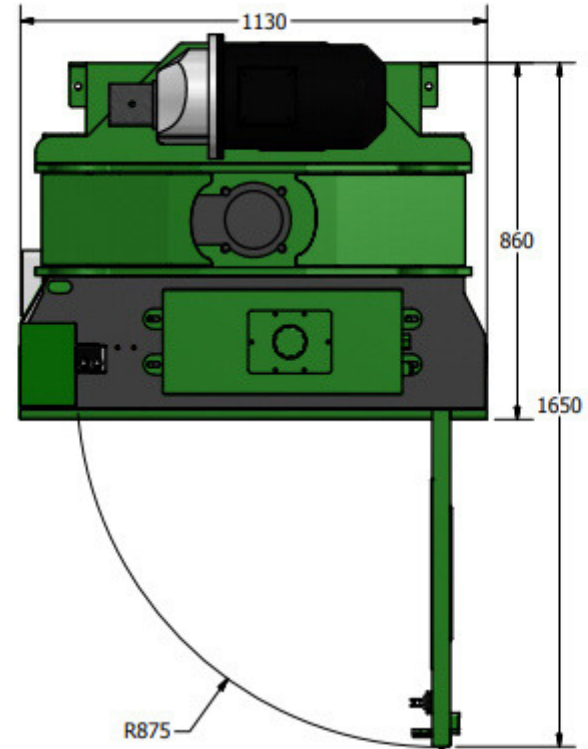
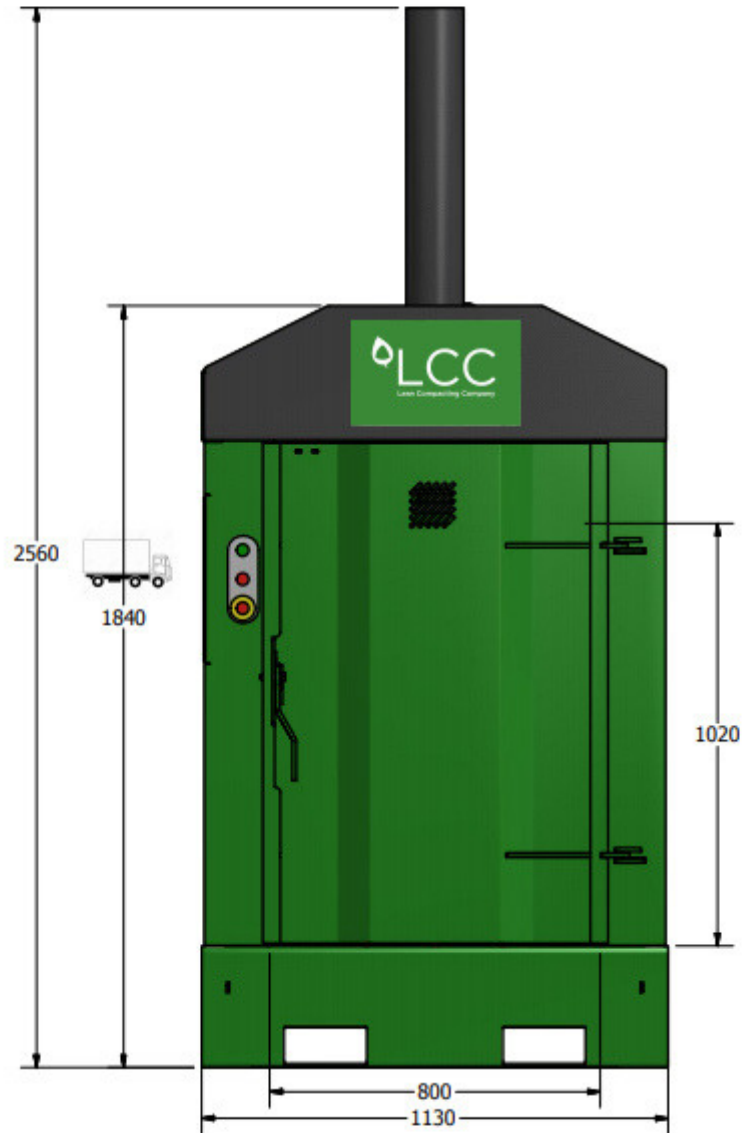



THIRD ANGLE PROJECTION



 lcc.eco	
MODEL CODE	CP205
MACHINE WEIGHT	815 KG
NOISE LEVEL	76 dB