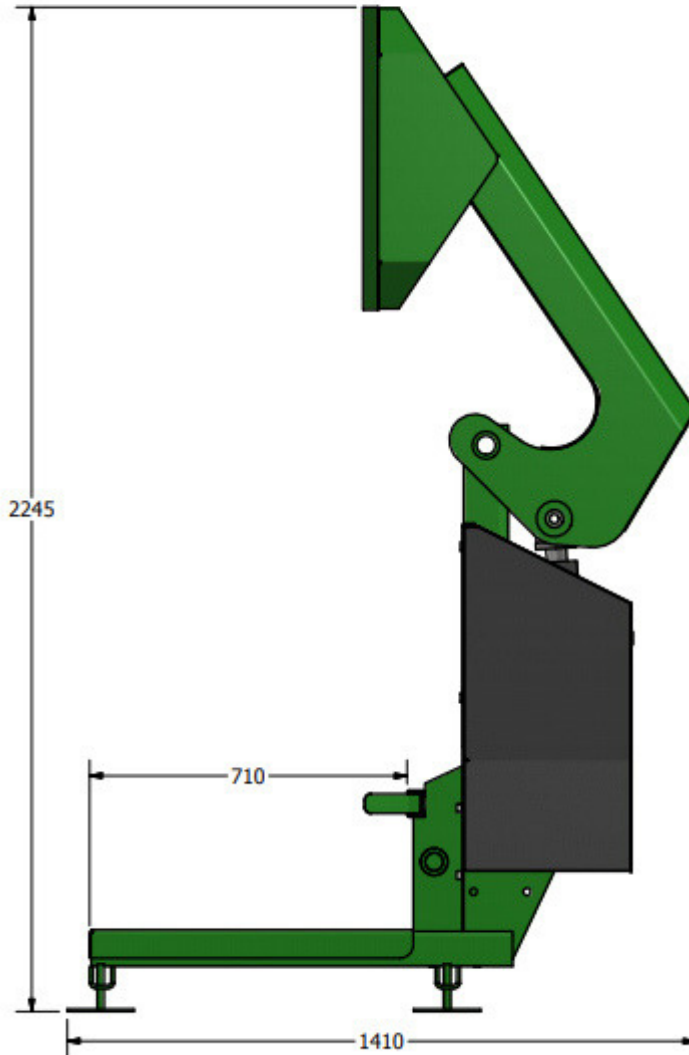
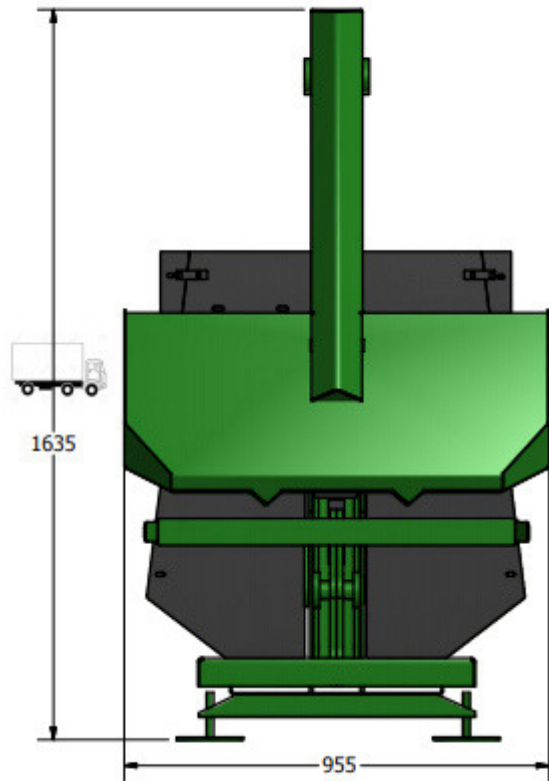



THIRD ANGLE PROJECTION



 lcc.eco	
MODEL CODE	BP1100
MACHINE WEIGHT	285 KG
NOISE LEVEL	70 dB